

Receiver
From

 Society
 Reference
 Address
 Phone
 Fax
 E-mail

Item n° :

102660020

Model :

JET 82 M

Pump data

 Pressure rating : 6 bar (600 kPa)
 Min. fluid temperature : 0 °C
 Max. fluid temperature : 35 °C
 Max. Ambient temperature : 40 °C

Priming capacity :

H m	2	3	4	5	6	7	8	9
Q m³/h	3,06	2,76	2,46	2,28	1,92	1,74	1,32	1,02

Requested data

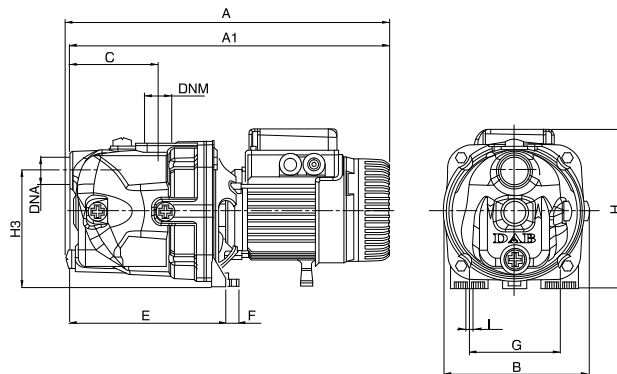
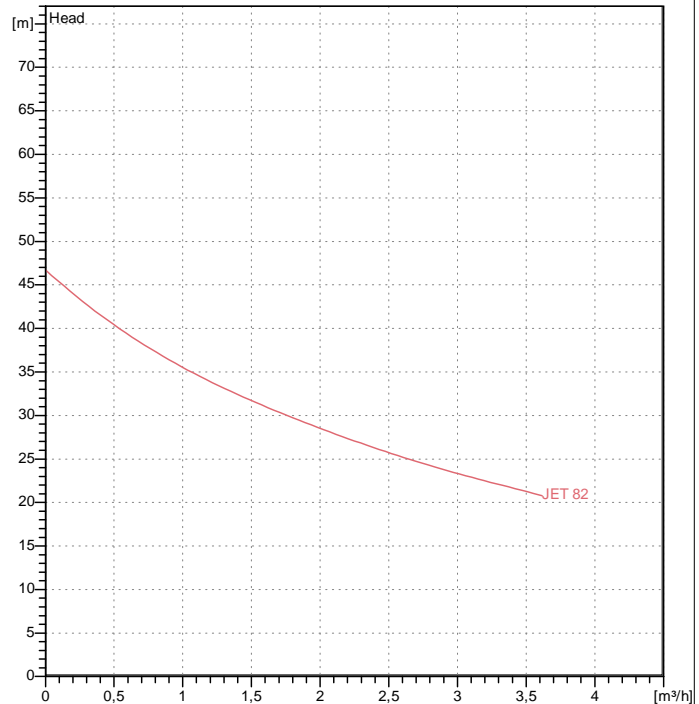
 Flow : 0,00 m³/h
 Head : 0,00 m
 Fluid : Water
 Fluid Temperature : 20 °C
 Density : 0,99819 kg/dm³
 Kinematic viscosity : 1,0004 mm²/s
 Vapor pressure : 2,20 kPa

Hydraulic data (duty point)

 Flow :
 Head :

Materials

 Pump body : Cast iron 200 UNI ISO 185
 Support : Die cast aluminium
 Impeller : Technopolymer A
 Mechanical seal : Carbon/Ceramic
 OR ring : NBR Rubber
 Shaft with rotor : AISI 416 X12 CrS 13 UNI 6900/71
 Nozzle venturi diffuser assembly : Technopolymer A

Curve tolerance according to ISO 9906

Motor data

 Motor brand : DAB
 Nominal power P2 : 0,6 kW
 Rated speed : 2750 1/min
 Rated voltage : 1~ 220-240 V 50 Hz
 Nominal current : 3,8 A
 Degree of protection : IP 44

Dimensions in
mm

A	395	DNA	1" G	G	111
A1	395	DNM	1" G	H	193
B	178	E	192	H3	144
C	108	F	14	I Ø	9

Weight : 10,7 kg

Pump connection

 Suction side : 1" G / 6 bar (600 kPa)
 Discharge side : 1" G / 6 bar (600 kPa)



PERFORMANCE CURVES

2017-07-04

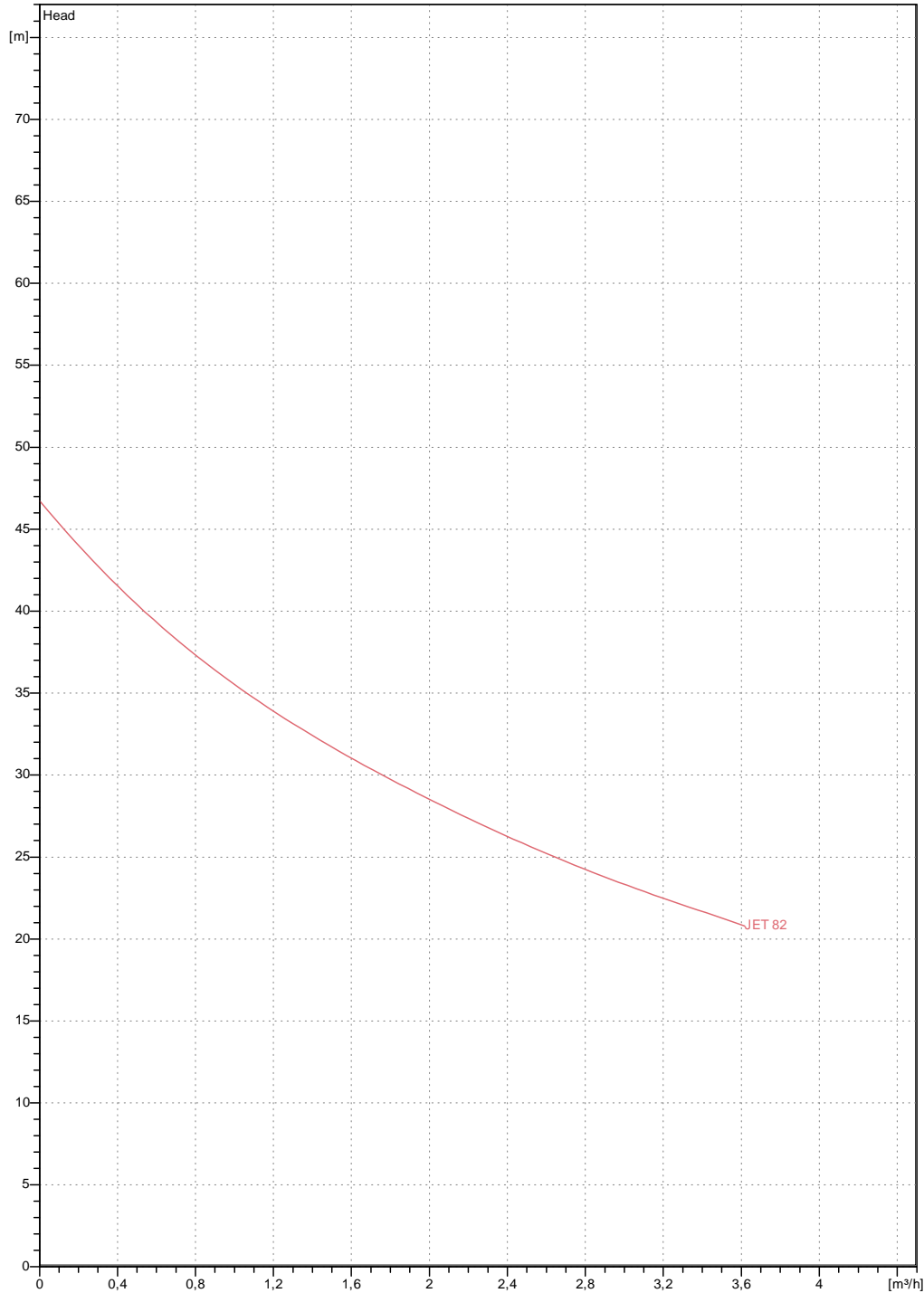
Page 2 / 3

DAB PUMPS S.p.A.
Via Marco Polo, 14 - 35035 Mestrino (PD), Italy
Tel. +39 049 5125000 - Fax +39 049 5125950
www.dabpumps.com

Society Reference Address Phone Fax E-mail	Receiver	From

JET 82 M

Curve tolerance according to ISO 9906



Hydraulic data (duty point)

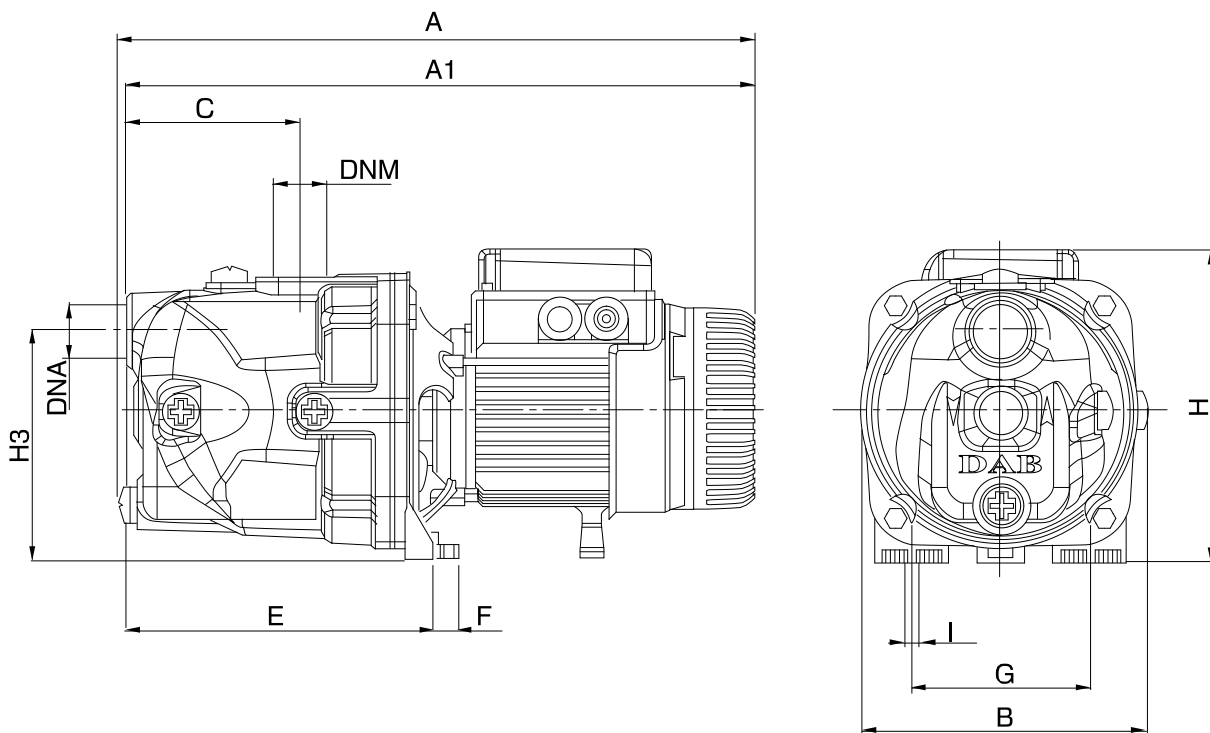
Suction side : 1 " G 6 bar (600 kPa)	Discharge side : 1 " G 6 bar (600 kPa)	Flow : 0 m³/h	Head : 0 m	Rated speed : 2750 1/min
Project	Project ID	Created by	Created on 2017-07-04	

Receiver

From

Society
 Reference
 Address
 Phone
 Fax
 E-mail

JET 82 M


Dimensions in mm
Pump connection

1	A	395	H3	144						
2	A1	395	I Ø	9						
3	B	178								Suction
4	C	108								1" G
5	DNA	1" G								6 bar (600 kPa)
6	DNM	1" G								Discharge
7	E	192								1" G
8	F	14								6 bar (600 kPa)
9	G	111								
10	H	193								

Project

Project ID

Created by

Created on

2017-07-04